

# T-Roller Lift

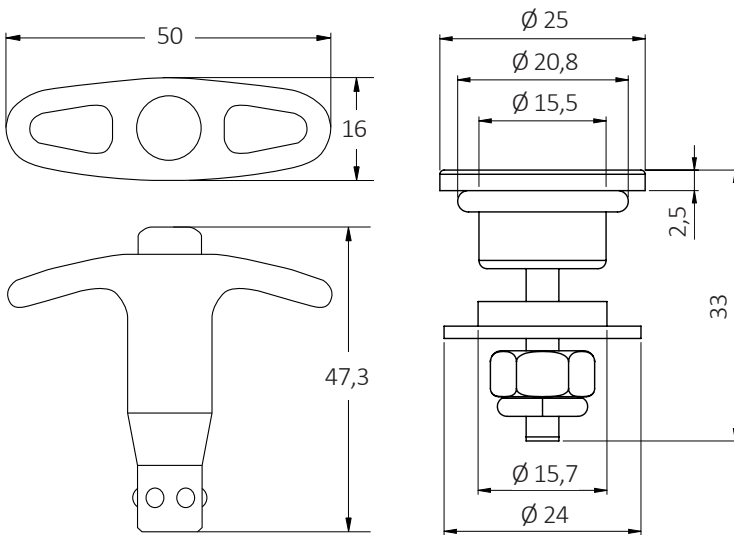
Flush • Key Turn

PART NUMBER

**AU-102051** T-handle Key  
**AU-102180** Latch Assembly

- Removable handle design helps control access
- Flush exterior suitable for floor latch applications
- Premium finish and corrosion resistance
- Max. static load: 160 N (36 lbs)
- T-handle pull-out force: 2200 N (495 lbs)
- Can be used exterior or interior
- Weather proof design

## MEASUREMENTS (MM)



**T-handle Key**  
304 Stainless Steel



**Latch assembly**  
316 Stainless Steel

## APPLICATION



## OPERATION

Push T-handle button and insert into housing. Release button and slightly rotate the T-handle until it is secured into housing.

For technical and detailed information please visit [www.onmar.se](http://www.onmar.se)

